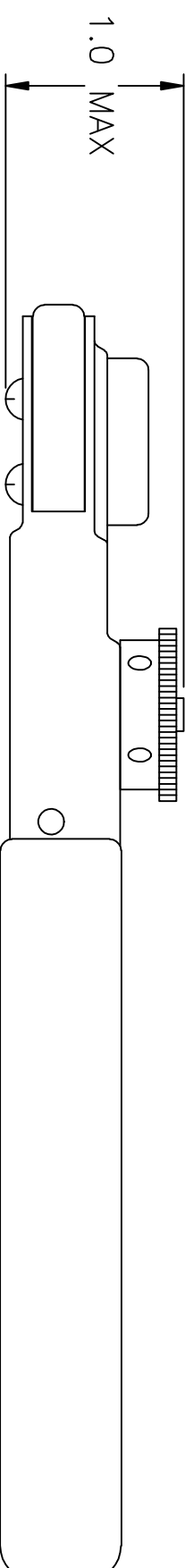
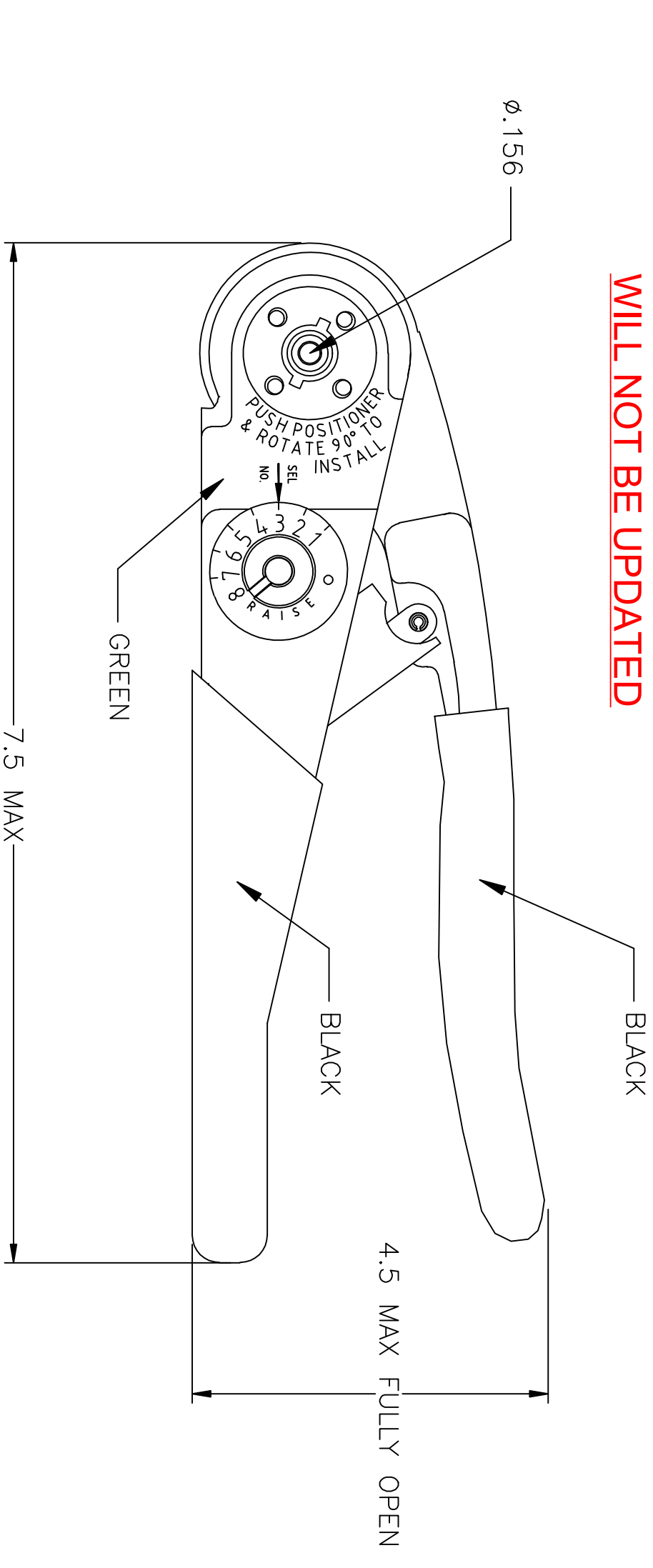


GAGING DATA		
SEL. NO.	GO Ø +.0001	NO GO Ø +.0001
1	.0160	.0210
2	.0190	.0240
3	.0220	.0270
4	.0250	.0300
5	.0290	.0340
6	.0330	.0380
7	.0370	.0420
8	.0410	.0460

USE GAGE 616337  
AT SEL. #8

**UNCONTROLLED DOCUMENT  
WILL NOT BE UPDATED**



NOTES:  
1. THIS IS AN AUTOCAD DRAWING DO NOT CHANGE MANUALLY.

REV.	DESCRIPTION	BY	DATE	APR.
A	NEW RELEASE	DY0	06-15-09	MMK

THESE DRAWINGS, SPECIFICATIONS OR OTHER DATA ARE AND REMAIN THE PROPERTY OF ASTRO TOOL CORP. AND MUST BE RETURNED UPON REQUEST. THEY CONTAIN INFORMATION OWNED AND/OR DEVELOPED BY ASTRO AT ITS OWN PRIVATE EXPENSE AND MAY NOT BE USED, DUPLICATED OR DISCLOSED TO OTHERS, IN WHOLE OR IN PART FOR DESIGN, MANUFACTURE OR PROCUREMENT WITHOUT THE WRITTEN PERMISSION OF ASTRO TOOL CORP. EACH AND EVERY TIME.

SCALE:	UNLESS OTHERWISE SPECIFIED:
N.T.S.	DECIMALS:
DWN BY: DY0	.XXX ± .005
DATE: 06-15-09	.XX ± .010
APPROVED:	.X ± .030
	ANGLES: ± 1°

**ASTRO TOOL CORP.**  
21615 S.W. TUALATIN VALLEY HWY., BEAVERTON OR 97006

DESCRIPTION: ENVELOPE DRAWING: 616336  
CRIMP TOOL (M22520/7-01)

PART NO. B 616336-ENV

CAGE 58164